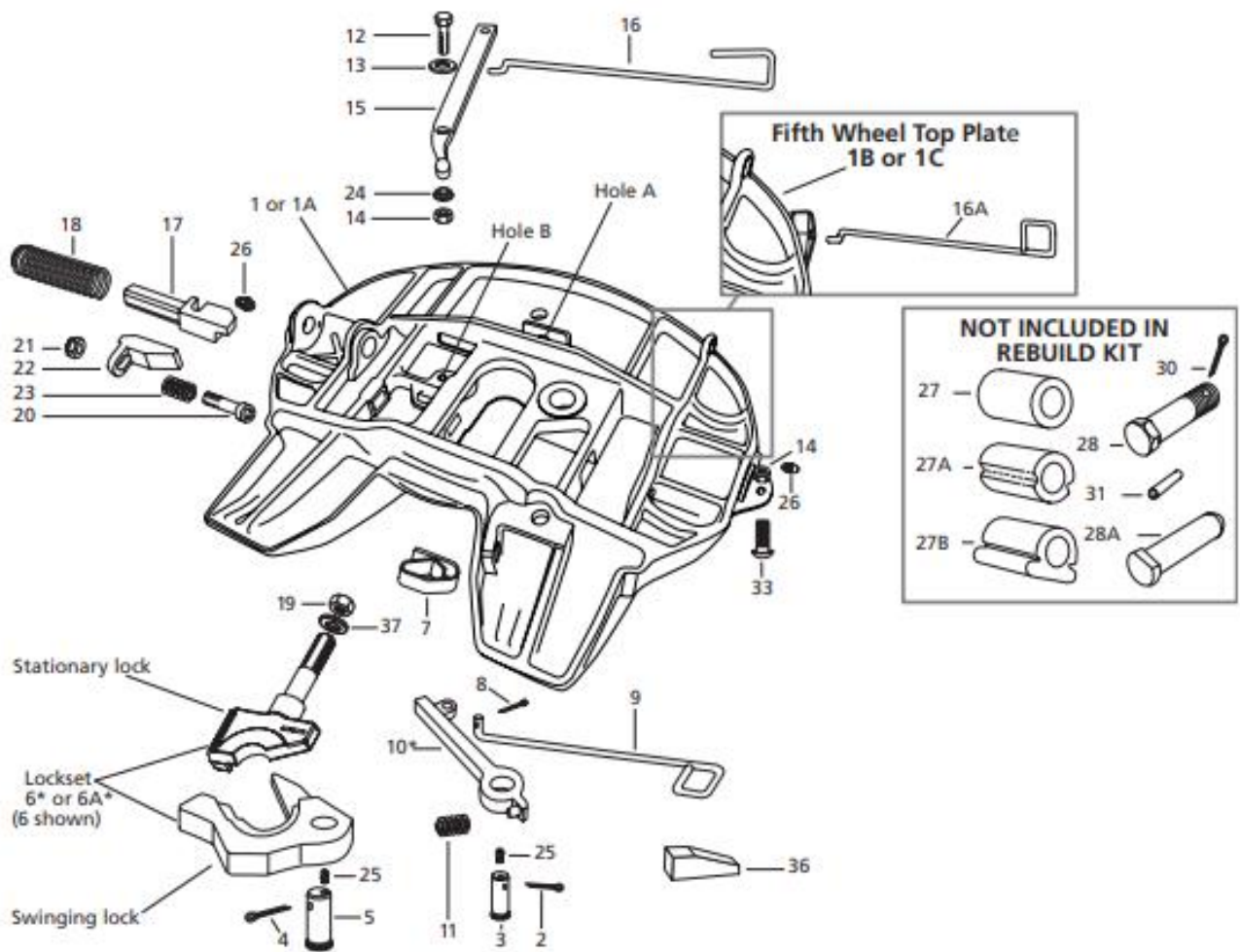


FW0070 Series Exploded View



SAF-HOLLAND Group



FW0070 SERIES PARTS LIST

ITEM	DESCRIPTION	PART NUMBER	QTY.	WEIGHT LBS [KG]
1	Fifth Wheel Top Plate For 2" Kingpin	XA-71-OAP	1	316.00 [143.34]
1A	Fifth Wheel Top Plate For 3.5" Kingpin	XA-71-OAP	1	312.00 [141.52]
1B	Fifth Wheel Top Plate - 2" Kingpin For FW2570-7103 Series or FW2570-7113 Series Only	XA-71-03706	1	307.81 [139.62]
1C	Fifth Wheel Top Plate - 3.5" Kingpin For FW2570-7103 or FW2570-7113 Series Only	XA-03711	1	281.50 [127.69]
2	Cotter Pin 0.25" x 2.0"	XB-5	1	0.05 [0.02]
3	Lock Pin	XA-1016-C	1	0.92 [0.42]
4	Cotter Pin 0.25" x 2.5"	XB-T-60	1	0.04 [0.02]
5	Lock Pin	XA-FW-108-D	1	2.37 [1.08]
5A	Lock Pin	XA-FW-108-D-15	1	
6*	Lock Set For 2" Kingpin	XA-FW-104-D	1	16.58 [7.52]
6A*	Lock Set For 3.5" Kingpin	XA-FW-104-03	1	13.85 [6.28]
7	Spring	XA-FW-128	1	0.57 [0.26]
8	Cotter Pin 1/8" x 1"	XB-16	1	0.01 [0.005]
9	Secondary Lock Release Handle	XA-FW-78	1	0.89 [0.40]
10*	Secondary Lock Arm	XA-FW-137-2	1	3.20 [1.45]
11	Spring	XB-1028-2	1	0.19 [0.09]
12	Hex Hd. Bolt 1/2" - 20 x 1.75"	XB-2083	1	0.13 [0.06]
13	Plain Washer	XB-T-49	1	0.04 [0.02]
14	Hex Lock Nut	XB-T-69-A	3	0.04 [0.02]
15	Release Lever	XA-1005-FH	1	1.98 [0.90]
16	Release Handle	XA-1117-H	1	1.97 [0.89]
16A	Release Handle	XA-03715	1	2.37 [1.08]
17	Plunger	XA-1104	1	3.09 [1.40]
18	Compression Spring (Red)	XB-1007	1	0.32 [0.15]
19	Jam Nut 1" - 14	XB-04473	1	0.13 [0.06]
20	Socket Head Cap Screw	XB-09407	1	0.40 [0.18]
21	Lock Nut 5/8" - 11	XB-HNH-58-C	1	0.08 [0.03]
22	Adjusting Wedge	XD-3123-1	1	1.18 [0.54]
23	Compression Spring	XB-403	1	0.07 [0.03]
24	Nylon Bushing	XB-02949	1	0.01 [0.005]
25	Lube Fitting (90°)	XB-0769	2	0.02 [0.01]
26	Lube Fitting	XB-H-38	2	0.01 [0.005]
*27	Bushing (Prior to 5/82)	XB-1604-9	2	0.53 [0.24]
27A	Bushing (5/82 - 9/87)	XB-0012-1	2	0.32 [0.15]
27B	Bushing (After 9/87)	XB-0012-3	2	0.54 [0.24]
28	Pivot Bolt (Prior to 11/86)	XA-2632	2	4.00 [1.81]
28A	Pivot Pin (After 11/86)	XE-02759	2	4.06 [1.84]
29	Nut (Prior to 11/86) (Not Shown)	XB-T-9N-2	2	N/A
30	Cotter Pin (Prior to 11/86)	XB-T-60	2	0.04 [0.02]
31	Roll Pin	XB-21-5-375-1750	2	0.02 [0.01]
33	Socket Button Head Cap Screw	XB-08002	2	0.04 [0.02]
36	Adjusting Block	XA-05768-1	1	0.74 [0.34]
38				

* Not sold individually. Must be purchased in kit

REPLACEMENT TOP PLATE PART NUMBERS

DESCRIPTION	PART NUMBER	KINGPIN LOCK	WEIGHT LBS [KG]
Left Hand Release	XA-71-OAP	2.0"	316.00 [143.33]
Right Hand Release	XA-71-OAP	3.5"	316.00 [143.33]

